	<p>'HARNESSES'</p> <p>Climbing and Mountaineering Equipment</p>	<p>UIAA 105</p>
<p style="text-align: center;">Foreword</p> <p>This UIAA Standard is only published in the English language version, which is the master text. For any validations in translation, the UIAA Safety Commission should be contacted via the UIAA Office in Bern, Switzerland.</p> <p>UIAA Standards are the only 'globally recognized' standards for mountaineering equipment. In order to prevent multiplicity, the UIAA collaborates with its partner in standardization CEN; and bases UIAA standard 105 on the European Standard EN 12277:2015. The EN Standards in turn are based on the original UIAA Standards, the first of their kind in the world. Additionally the UIAA publishes pictorials for each of the standards in a user-friendly way. This UIAA Standard 105 also has additional requirements over and above those in EN 12277:2015.</p> <p>Owing to copyright restrictions, this UIAA Standard does not state the full requirements of EN 12277:2015 to which it refers. Hence it is necessary to obtain a copy of EN 12277:2015. The procedure for purchasing the EN Standards is included at the end of the text of this standard. The UIAA Standards are reviewed at intervals to see whether they meet the latest technical requirements and revised if necessary.</p> <p>The UIAA invites manufacturers of mountaineering and climbing equipment worldwide to become members of the UIAA Safety Commission as Safety Label Holders. Members can participate in discussions on standard requirements, test methods and revisions thereof (see the "General Regulations for the UIAA Safety Label").</p> <p>A complete list of UIAA Standards for mountaineering and climbing equipment can be found on the UIAA website.</p> <p>This standard has been created and updated based on scientific research coordinated and funded by UIAA, as a service to all mountaineers.</p>		
<p style="text-align: center;">© 2013, 2016, 2017, & 2018 UIAA</p>		
<p style="text-align: center;">Copyright is secured for the present standard work including all its parts. Any use beyond the limit of the copyright act is forbidden by law.</p>		
<p style="text-align: center;">This concerns especially copying, microfilming and feeding and processing in electronic data systems.</p>		
<p>VERSION</p>	<p>UIAA 105_V4</p>	
<p>LAST UPDATED</p>	<p>February 2018</p>	
<p>COMPLIANCE DATE</p>	<p>immediate</p>	

Copyright and Version Management

This document was first published in English. The English master text is decisive in any conflict of interpretation. For any validations in translation the UIAA should be contacted via the UIAA Office in Bern, Switzerland.

UIAA declarations, standards, documents and guidelines are subject to review. Updates are recorded in the version details stated on the front page of this document.

UIAA documents are generally produced by the responsible Commission and are subject to approval in accordance with the UIAA Articles of Association.

All UIAA documents can be found on the relevant subject area on the UIAA website.

This publication may be reproduced by UIAA member federations in any form for non-profit or educational purposes, providing that the source is acknowledged. **Other parties are requested to contact the UIAA office for permission.**

No use of this publication may be made for resale or any other commercial purpose whatsoever without the prior permission in writing from the UIAA.

Copyright is secured for the present document including all its parts. Any use beyond the limit of the copyright act is forbidden. Copyright of photos and pictorials belong to the UIAA or according to specific credits mentioned.

The Version number refers to the latest revision, e.g. V4 is the fourth change to the document. The last update is the date of this latest version.

1. General Remarks on the UIAA Trademark and UIAA Label

- 1.1. The UIAA Trademark (see section 5.1.) is copyright protected internationally. The UIAA Label is only given to items of mountaineering and climbing equipment upon approval of prospective label holder's application from the UIAA.
- 1.2. The procedure to be followed by a manufacturer, when applying for a UIAA Label, is laid down in the "General Regulations for the UIAA Safety Label Certification".

2. Requirements for Harnesses

- 2.1. The UIAA Label can only be granted for harnesses which meet all the requirements of EN 12277:2015, with the following exception:
 - 2.1.1. No EN number required.
- 2.2. For the award of the UIAA Label, the following additional safety requirements shall be met:
 - 2.2.1. Safety Requirements
If there is a textile means of attachment, whose strength is dependent on the integrity of the stitching, and then at least 50 % of the visible area of the stitching shall contrast with the background colour.
 - 2.2.2. Test Method
Check by visual examination that the requirements according to 2.2.1 are met.

2.3. Belt test requirement

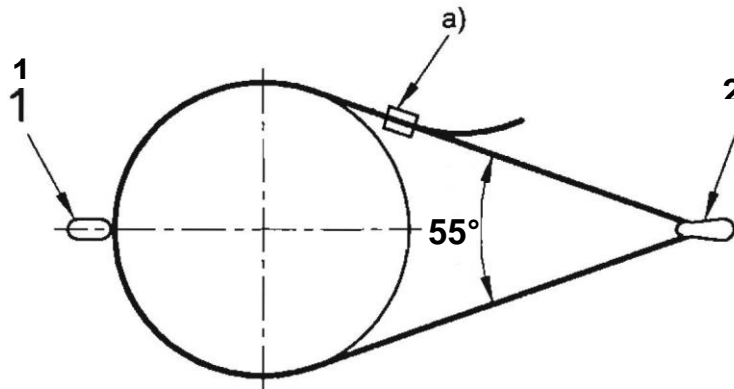
The test method described in 5.2.6.4 and figure 4 of EN 12277:2015 are replaced by:

Affix the belt of the harness to the cylinder as shown in Figure 2 and attach the attachment point of the harness with a pin of diameter $(12 \pm 0,1)$ mm to the test machine. Apply a force increasing gradually to (300 ± 10) N over a period of (30 ± 10) s. Control the angle of the belt to be $(55 \pm 5)^\circ$ by adjusting the length of the belt. Position the belt on the cylinder so that the attachment point of the harness and the fixation element of the cylinder are aligned within the direction of the applied force. If the belt has an adjusting device for the length, make a mark at the outer edge of any load bearing buckle or adjusting device.

Apply a force increasing gradually to $(10 \text{ }^{+0.1}_0)$ kN over a period of $(2 \pm 0,25)$ min. Hold this force for $(1 \pm 0,25)$ min and release the tension completely over a period of 60 seconds. Reapply the force immediately and increase the force gradually to $(10 \text{ }^{+0.1}_0)$ kN over a period of $(3 \pm 0,25)$ min. Hold this force for $(3 \pm 0,25)$ min before releasing the force completely. After releasing the tension completely, if relevant, make a mark at the outer edges of any load bearing buckle or adjusting device. Undo the load bearing buckle or adjusting device and measure the distance between the two marks.

Key

- a) The load bearing buckle or adjusting device shall not touch the cylinder
- 1 Fixation element of the cylinder
- 2 Harness attachment point



3. Fig. 4

4.

Diameter of the cylinder: (250 ± 10) mm. Diameter of (160 ± 10) mm if the load bearing buckle or adjusting device touches the cylinder of 250 mm.

5. Demonstrating that the Requirements are met

- 5.1. The requirements of section 2.1. shall be satisfied by a test report from a UIAA-approved test laboratory.
- 5.2. The requirements of section 2.2 shall be satisfied by the manufacturer certifying on the Safety Label Test Template Form that the product meets this particular requirement.

6. Information to be supplied

- 6.1. The "information to be supplied" shall be given in Standard English and, if required, in the official language(s) of the country in which the product is made available on the market. As an alternative to a printed form, the information may be provided via an electronic or other data storage format link (e.g. a QR code) allowing the downloading of the information. The information link shall be preceded or surmounted by an icon showing an open booklet; the information link and icon may be directly printed on the product in a clearly visible and accessible place.

7. Attachment of the UIAA Label

7.1. For any model of mountaineering equipment, which has been awarded the UIAA Label, the UIAA recommends that the UIAA Trademark (see below) or the four letters "UIAA" be marked clearly and indelibly on each item sold in accordance with the branding guidelines specified in the "General regulations for UIAA Safety Label".



7.2. In addition, the UIAA Trademark or the four letters "UIAA" may be included in the instructions for use and/or on a swing ticket as well as in catalogues and other publications of the manufacturer. In the last case, the illustration and/or the text must clearly apply only to the equipment which has been awarded the UIAA Label.

Last Updated	Remarks
June 2017	<p>6.1 The <u>information to be supplied</u>: (in accordance with EN 12277:2015) shall be given in English, or at least in the language of the country in which the product is sold.</p> <p>Has been updated with: The "information to be supplied" shall be given in standard English and, if required, in the official language(s) of the country in which the product is made available on the market. As an alternative to a printed form, the information may be provided via an electronic or other data storage format link (e.g. a QR code) allowing the downloading of the information. The information link shall be preceded or surmounted by an icon showing an open booklet; the information link and icon may be directly printed on the product in a clearly visible and accessible place. Unanimously approved Safecom Worden June 2017</p>
May 2014	Inclusion of section 2.3. Belt test requirement
December 2016	All mentioned EN 12277:2007 have been replaced with EN 12277:2015
March 2013	Update of EN Norm in point 3

*Copies of the EN Standards can be purchased from [EN website](#)